

Gasoline containing up to 10% ethanol (E10) is acceptable for use in this machine. The use of any gasoline exceeding 10% ethanol (E10) will void the product warranty.

Parts Manual

RZ5424 / 967003701



Please read the operator's manual carefully and make sure you understand the instructions before using the machine.

When you need spare parts or support in service questions, warranty issues, etc., please consult the following professional:

This manual belongs to the machine with the manufacturing number:	Engine	Transmission

Manufacturing Number

The machine's manufacturing number can be found on the printed plate affixed to the engine compartment.

Stated on the plate, from the top are:

- The machine's type designation (I.D.).
- The manufacturer's type number (Model).
- The machine's serial number (Serial no.)

Please have the type designation and serial number available when ordering spare parts.

The engine's manufacturing number is stamped on one of the valve covers.

The plate states:

- The engine's model.
- The engine's type.
- Code

Please have these available when ordering spare parts.

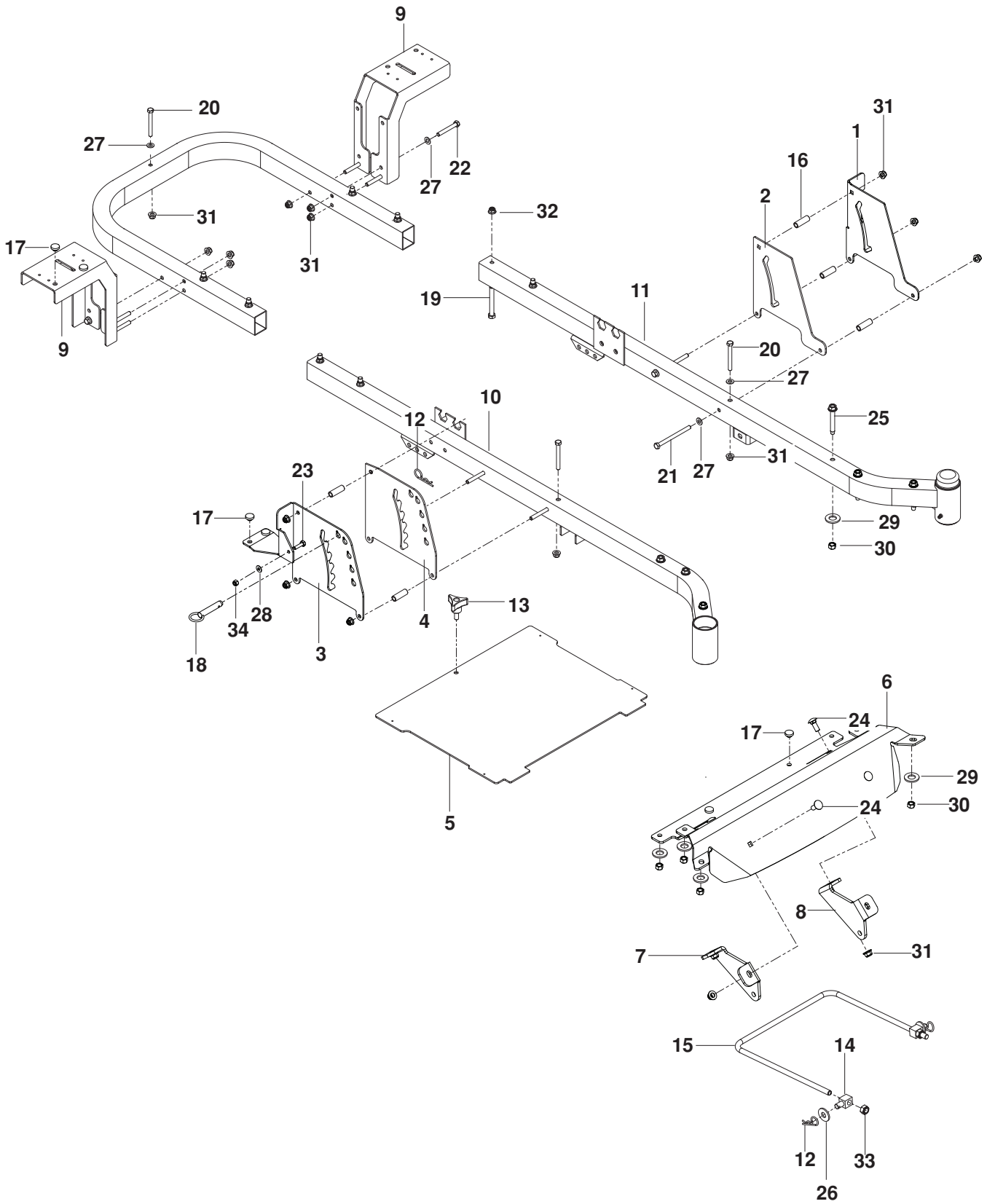
The wheel motors and hydrostatic pumps have a barcode decal affixed at the rear.

CONTENTS

FRAME.....	4
ENGINE PLATE.....	6
STEERING	8
IGNITION.....	10
FUEL SYSTEM.....	12
BRAKE / LIFT.....	14
HYDRAULIC PUMP - MOTOR.....	16
WHEELS AND TIRES.....	18
MOWER DECK / CUTTING DECK.....	20
SEAT	22
DECALS.....	24

NOTE ALL FASTENERS ARE GRADE 5 UNLESS OTHERWISE SPECIFIED.

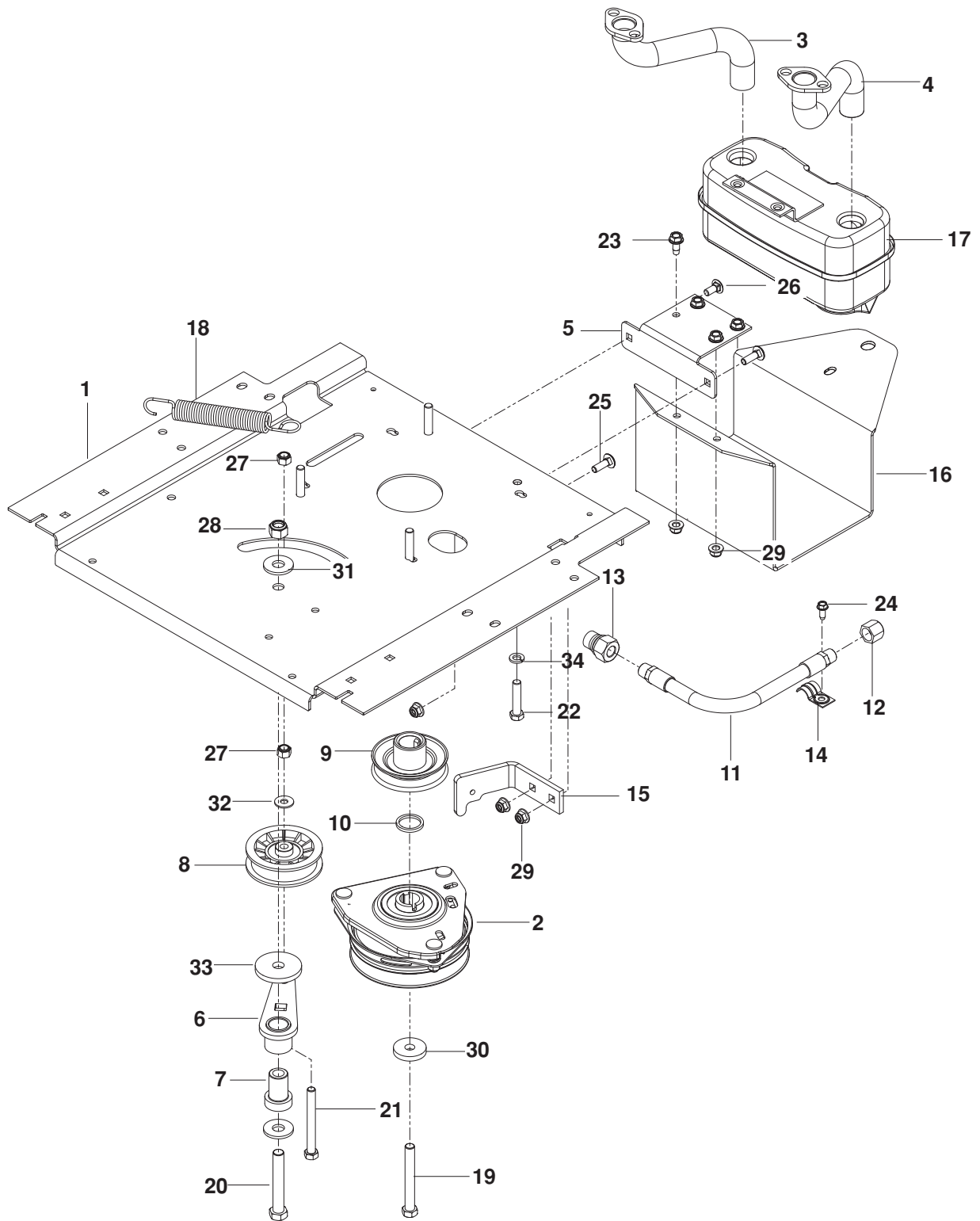
FRAME



FRAME

ITEM	PART NO.	QTY.	DESCRIPTION	ITEM	PART NO.	QTY.	DESCRIPTION
1..	510 261802....	1....	PLATE, OUTER BRAKE BLK	18..	539 102526....	1....	LIFT PIN
2..	510 206703....	1....	PLATE, BRAKE LATCH BLK	19..	539 101341....	8....	HCS 3/8-16 x 3
3..	510 245604....	1....	PLATE, LIFT OUTER BLK	20..	539 101721....	3....	HCS 5/16-18 x 2 3/4
4..	510 240502....	1....	PLATE, LIFT INNER BLK	21..	539 102335....	4....	HCS 5/16-18 x 4
5..	522 842902....	1....	FOOT PLATE w/DECALS	22..	539 976938....	6....	HCS 5/16-18 x 2 1/4
6..	522 719504....	1....	FOOT REST ORG	23..	539 977761....	2....	HCS 1/4-20 x 1
7..	522 443302....	1....	MOUNT, STRUT RT BLK	24..	539 990645....	4....	RHSNB 3/8-16 x 1
8..	522 443304....	1....	MOUNT, STRUT LT BLK	25..	539 111976....	6....	BOLT 3/8-16 x 2 5/8 THD FRM
9..	510 225902....	2....	SUPPORT, FENDER BLK	26..	539 109554....	2....	WASHER 1/2 FLT
10..	510 177503....	1....	FRAME, FRONT RT ORG	27..	539 990188..	13....	WASHER 5/16 SAE FLT
11..	510 177403....	1....	FRAME, FRONT LT ORG	28..	539 990055....	2....	WASHER 1/4 FLT
12..	539 976989....	3....	HAIRPIN	29..	539 990517....	6....	WASHER 3/8 STD FLT
13..	539 104411....	1....	KNOB w/ STUD	30..	539 200282....	6....	NUT 3/8-16 HEX JAM NYLOC
14..	539 114789....	2....	SWIVEL	31..	539 112899..	15....	NUT 5/16-18 HEX FLG NYLOC
15..	521 938101....	1....	LINK, FRONT SUSPENSION	32..	521 996501....	8....	NUT 3/8-16 HEX FLG NYLOC
16..	515 988101....	6....	SPACER 1/2 OD x 1 1/2	33..	539 119124....	2....	NUT 7/16-14 HEX NYLOC
17..	539 102587....	6....	GROMMET, BUMPER	34..	539 976978....	2....	NUT 1/4-20 HEX NYLOC

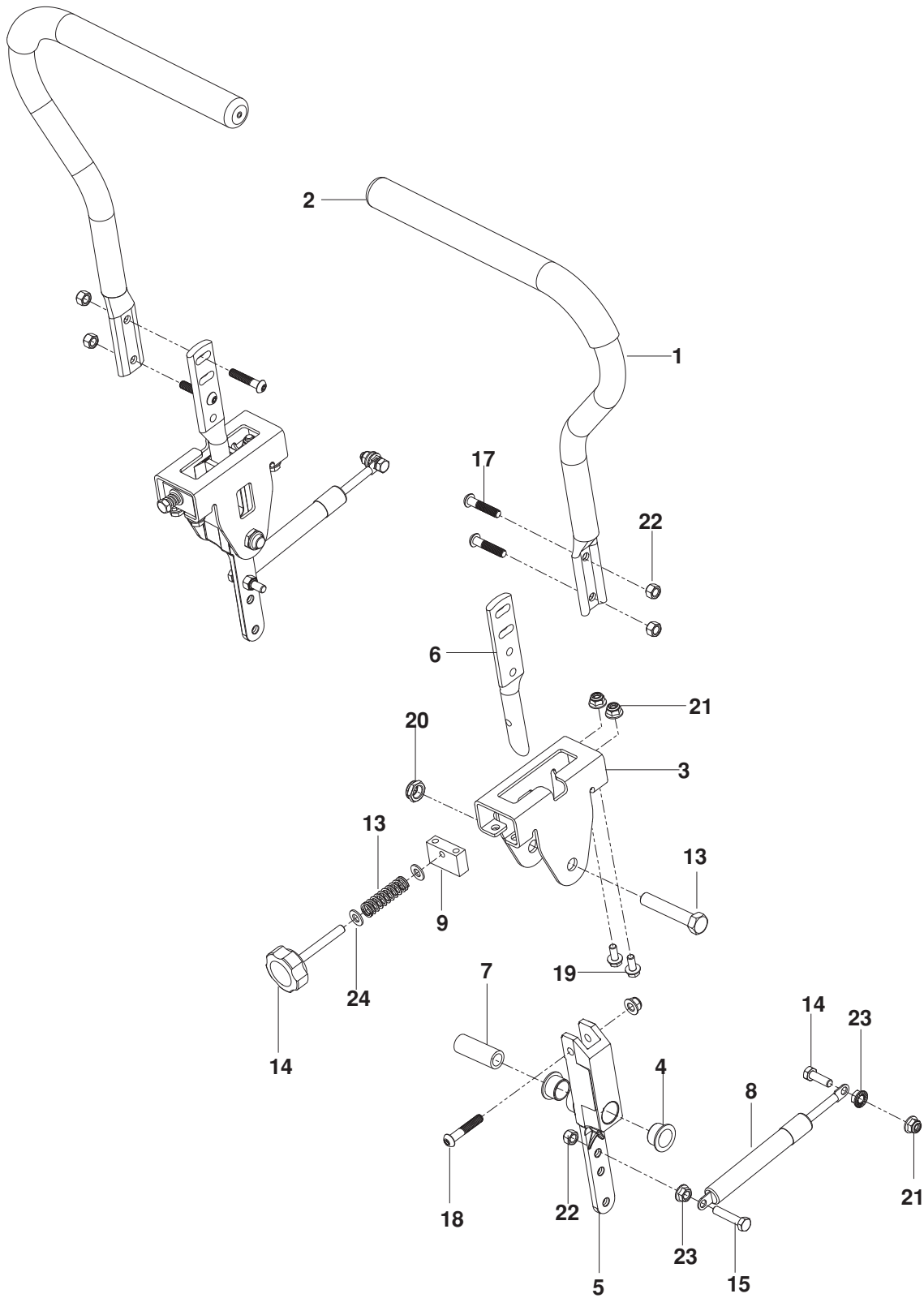
ENGINE PLATE



ENGINE PLATE

ITEM	PART NO.	QTY.	DESCRIPTION	ITEM	PART NO.	QTY.	DESCRIPTION
1..	575 327002....	1....	PLATE, ENGINE BLK	20..	539 103433....	1....	HCS 1/2-13 x 3/4
2..	532 400008....	1....	CLUTCH	21..	539 109389....	1....	HCS 3/8-16 x 3 1/2
3..	532 424765....	1....	TUBE, EXHAUST RT	22..	539 976949....	4....	HCS 3/8-16 x 1 3/4
4..	432 424766....	1....	TUBE, EXHAUST LT	23..	539 107475....	4....	BOLT 5/16-18 x 3/4 THD FRM
5..	510 260402....	1....	BRACKET, MUFFLER BLK	24..	539 990362....	1....	SCREW 1/4-20 x 5/8 THD FRM
6..	539 112092....	1....	ARM, IDLER	25..	539 990208....	2....	RHSNB 5/16-18 x 1
7..	539 101231....	1....	SPINDLE, IDLER	26..	539 990316....	2....	RHSNB 5/16-18 x 3/4
8..	539 110311....	1....	PULLEY, IDLER	27..	539 976979....	2....	NUT 3/8-16 HEX NYLOC
9..	539 114530....	1....	PULLEY, ENGINE	28..	539 101331....	1....	NUT 1/2-13 HEX NYLOC
10..	539 115326....	1....	SPACER	29..	539 112899....	5....	NUT 5/16-18 HEX FLG NYLOC
11..	539 101362....	1....	HOSE, DRAIN	30..	539 110064....	1....	WASHER, CLUTCH
12..	539 101364....	1....	PLUG, OIL	31..	539 109554....	2....	WASHER 1/2 FLT
13..	522 599001....	1....	ADAPTER, OIL DRAIN	32..	539 990692....	2....	WASHER 5/16 STD FLT
14..	539 101363....	1....	CLAMP	33..	539 112670....	1....	WASHER, HEAVY
15..	522 442506....	1....	STOP, CLUTCH BLK	34..	539 990118....	4....	WASHER 3/8 SPLT LK
16..	510 260502....	1....	GUARD, MUFFLER BLK	NOT SHOWN			
17..	539 131604....	1....	MUFFLER ASSY		532 198316 ...	1....	ADAPTER, CLUTCH
18..	532 196105....	1....	SPRING, DECK DRIVE		539 598601 ...	1....	PIGTAIL
19..	576 968001....	1....	HCS 7/16-20 x 2 1/2		539 132859 ...	1....	HEAT SHIELD, MUFFLER

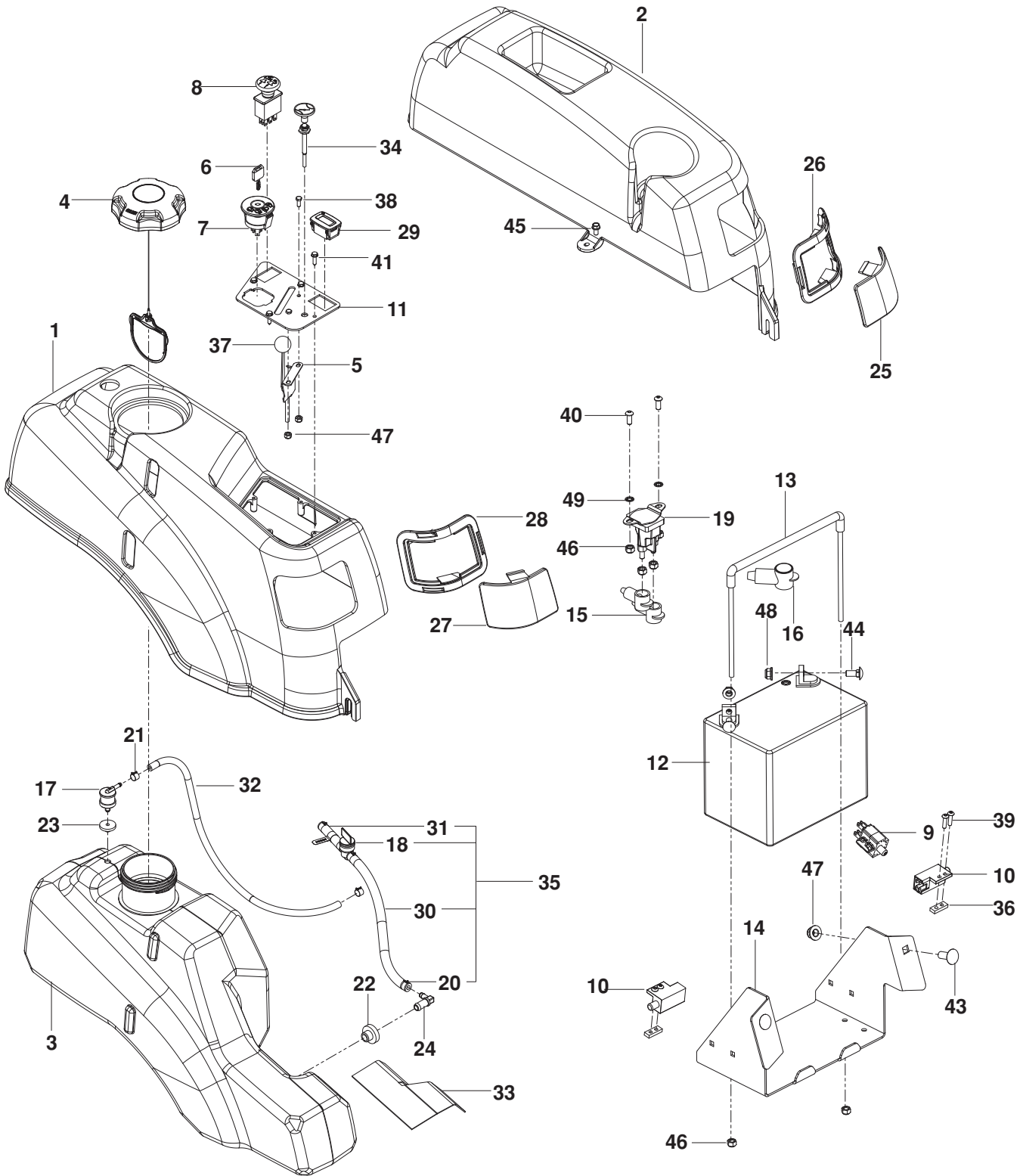
STEERING



STEERING

ITEM	PART NO.	QTY.	DESCRIPTION	ITEM	PART NO.	QTY.	DESCRIPTION
1..	579 036901....	2....	LEVER w/ GRIP	13..	539 101332....	2....	HCS 1/2-13 x 2 3/4
2..	525 392901....	2....	GRIP, FOAM	14..	539 990209....	2....	HCS 5/16-18 x 1
3..	577 251701....	2....	BRACKET, CONTROL	15..	539 976935....	2....	HCS 5/16-18 x 1 1/2
4..	539 131518....	4....	BEARING, FLANGE	16..	539 101469....	2....	HCS 5/16-18 x 1 1/4
5..	576 140301....	2....	LEVER, CONTROL	17..	578 296401....	4....	SCREW 5/16-18 X 1 BTN HD
6..	577 420001....	2....	LEVER, HANDLE	18..	576 850402....	2....	SCREW 5/16-18 X 1 3/4 BTN HD
7..	577 252401....	2....	SPACER, PIVOT CONTROL	19..	525 464701....	8....	HHFS 5/16-18 X 3/4
8..	539 102720....	2....	DAMPENER	20..	539 108010....	2....	NUT 1/2-13 HEX JAM NYL GR2
9..	577 251801 ...	2....	BLOCK, TRACKING	21..	539 112899..	10....	NUT 5/16-18 HEX FLG NYLOC
10..	539 102845....	1....	SPRING	22..	539 990717....	6....	NUT 5/16-18 HEX NYLOC
11..	576 850301....	1....	SPRING	23..	539 990585....	4....	NUT 5/16-18 HEX WHIZLK
12..	539 131799....	1....	KNOB	24..	539 990188....	4....	WASHER 5/16 SAE FLT

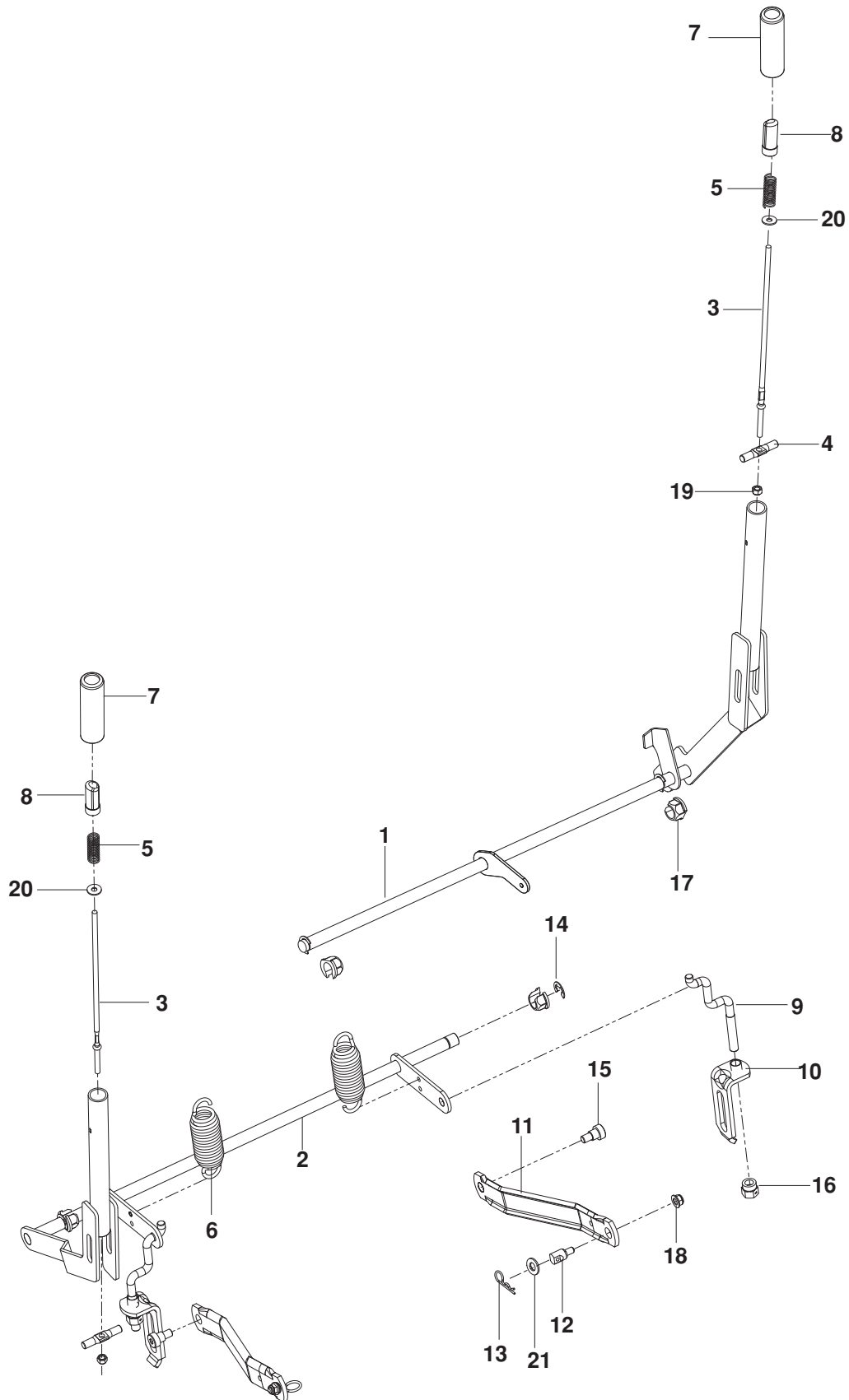
IGNITION



IGNITION

ITEM	PART NO.	QTY.	DESCRIPTION	ITEM	PART NO.	QTY.	DESCRIPTION
1..	578 178901....	1....	FENDER, RT GRY	29..	576 179401....	1....	HOUR METER
2..	539 130374....	1....	FENDER, LT GRY	30..	539 932956....	1....	FUEL LINE 10"
3..	578 178601....	1....	TANK, FUEL	31..	505 215101....	1....	FUEL LINE 2½"
4..	575 018101....	1....	CAP, FUEL w/ TETHER	32..	576 660605....	1....	FUEL LINE 15"
5..	539 102732....	1....	CABLE, THROTTLE	33..	522 559101....	1....	SHIELD, HEAT
6..	539 107544....	1....	KEY, IGNITION	34..	539 102733....	1....	CONTROL, CHOKE
7..	539 107541....	1....	SWITCH, IGNITION	35..	576 660701....	1....	FUEL LINE ASSY
8..	539 174652....	1....	SWITCH, CLUTCH	36..	539 102678....	2....	PLATE, TAPPED
9..	539 113792....	1....	SWITCH, BRAKE	37..	539 133049....	1....	KNOB
10..	539 109553....	3....	SWITCH, NC	38..	539 990411....	2....	SCREW 10-24 x ½ HEX HD
11..	539 112736....	1....	PANEL, CONTROL	39..	574 822701....	4....	SCREW 10-24 x ¾ SKT HD
12..	539 102436....	1....	BATTERY	40..	539 111229....	2....	SCREW ¼-20 x ⅝ BTN SKT
13..	539 131209....	1....	TIE DOWN, BATTERY	41..	539 110673....	2....	SCREW 10-24 x ¾ WSH HD
14..	510 231302....	1....	BOX, BATTERY BLK	42..	539 991034....	2....	SCREW 10-24 x ⅝ WSH HD
15..	539 116400....	3....	TERMINAL COVER	43..	539 990645....	2....	RHSNB ⅜-16 x 1
16..	539 102759....	1....	INSULATOR	44..	539 990316....	2....	RHSNB ⅝/16-18 x ¾
17..	576 618101....	1....	VALVE, FUEL CHECK	45..	539 108461....	2....	BOLT ¼-20 x ½
18..	539 916325....	1....	VALVE, FUEL	46..	539 976978....	6....	NUT ¼-20 HEX NYLOC
19..	539 101714....	1....	SOLENOID	47..	539 976977....	2....	NUT 10-24 HEX NYLOC
20..	539 912222....	4....	CLAMP, HOSE	48..	539 112899....	2....	NUT ⅝/16-18 HEX FLG NYLOC
21..	575 436501....	2....	CLAMP, HOSE	49..	539 990053....	2....	WASHER ¼ ITLW
22..	539 105245....	1....	GROMMET, RUBBER	NOT SHOWN			
23..	576 618201....	1....	GROMMET, CHECK VALVE	539 103306 ...	2....	POSITIVE CABLE, LONG	
24..	539 110432....	1....	ELBOW	539 110068 ...	1....	BATTERY CABLE NEGATIVE	
25..	539 110056....	1....	LENS, LT	515 980501 ...	1....	HARNESS, WIRING	
26..	539 110455....	1....	RIM, LT	505 280001 ...	4....	TIE, WIRE	
27..	539 110057....	1....	LENS, RT				
28..	539 110451....	1....	RIM, RT				

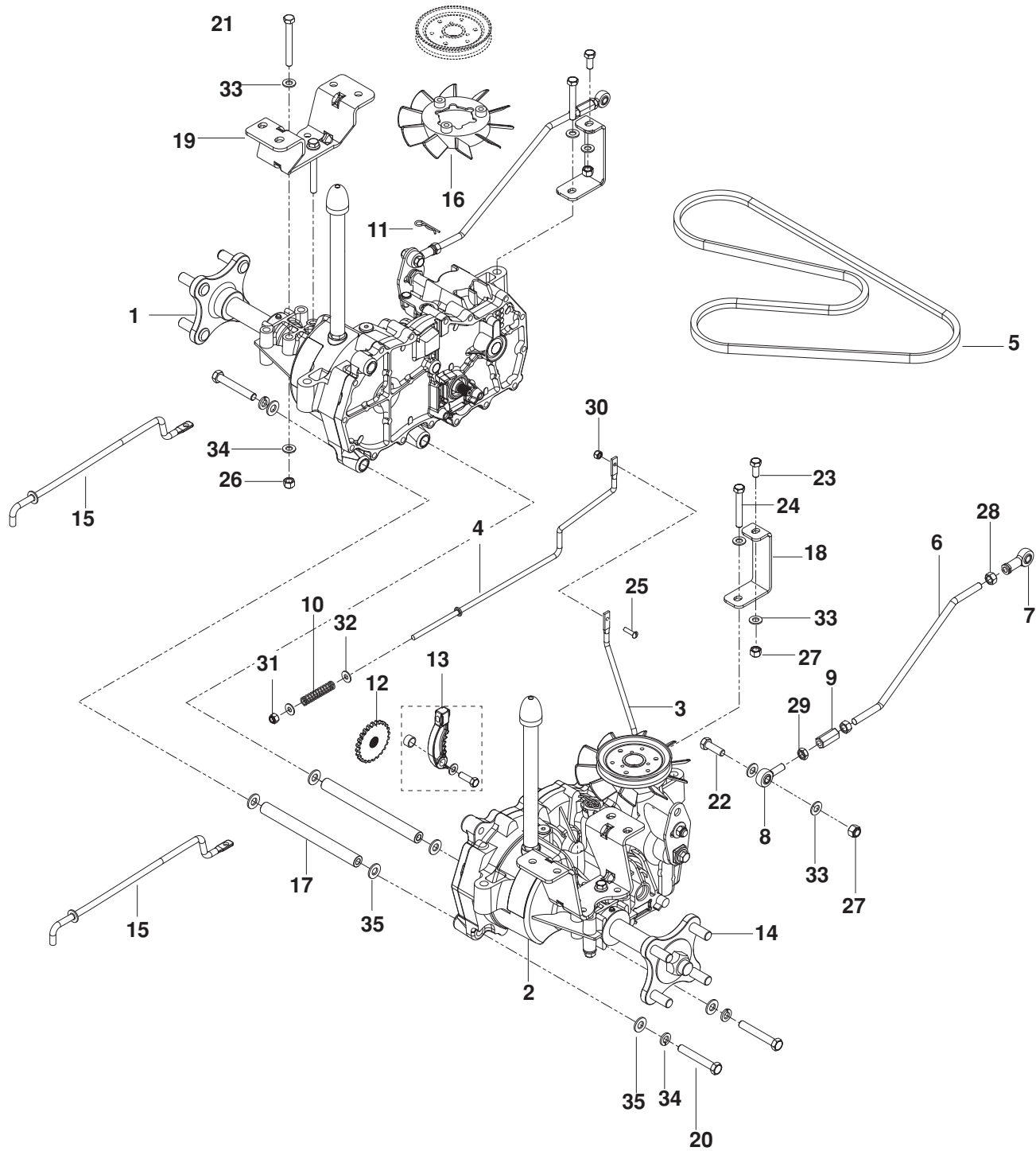
BRAKE / LIFT



BRAKE / LIFT

ITEM	PART NO.	QTY.	DESCRIPTION	ITEM	PART NO.	QTY.	DESCRIPTION
1..	522 710802....	1....	SHAFT, BRAKE	12..	532 195161....	2....	STUD w/ANTI- ROTATE
2..	574 216602....	1....	SHAFT, LIFT	13..	539 976989....	2....	HAIRPIN
3..	510 422901....	2....	ROD, HANDLE RELEASE	14..	539 105069....	3....	E-RING
4..	516 008801....	1....	ROD, LATCH RELEASE	15..	539 113621....	2....	BOLT $\frac{3}{8}$ -16 x $\frac{3}{8}$ SKT HD
5..	510 030701....	2....	SPRING, COMPRESSION	16..	532 175994....	2....	NUT, LIFT LINK
6..	539 118762....	2....	SPRING	17..	510 184901....	4....	NUT, PLASTIC
7..	510 207201....	2....	GRIP, HANDLE	18..	539 112899....	2....	NUT $\frac{5}{16}$ -18 HEX FLG NYLOC
8..	510 207301....	2....	BUTTON, PUSH	19..	539 976978....	2....	NUT $\frac{1}{4}$ -20 HEX NYLOC
9..	525 847201....	2....	LINK, REAR SUSPENSION	20..	539 990598....	1....	WASHER $\frac{1}{4}$ FLT
10..	522 858601....	2....	BRACKET, CENTERING LNK	21..	539 976982....	2....	WASHER $\frac{5}{8}$ SAE FLT
11..	532 195185....	2....	ARM, SUSPENSION RR				

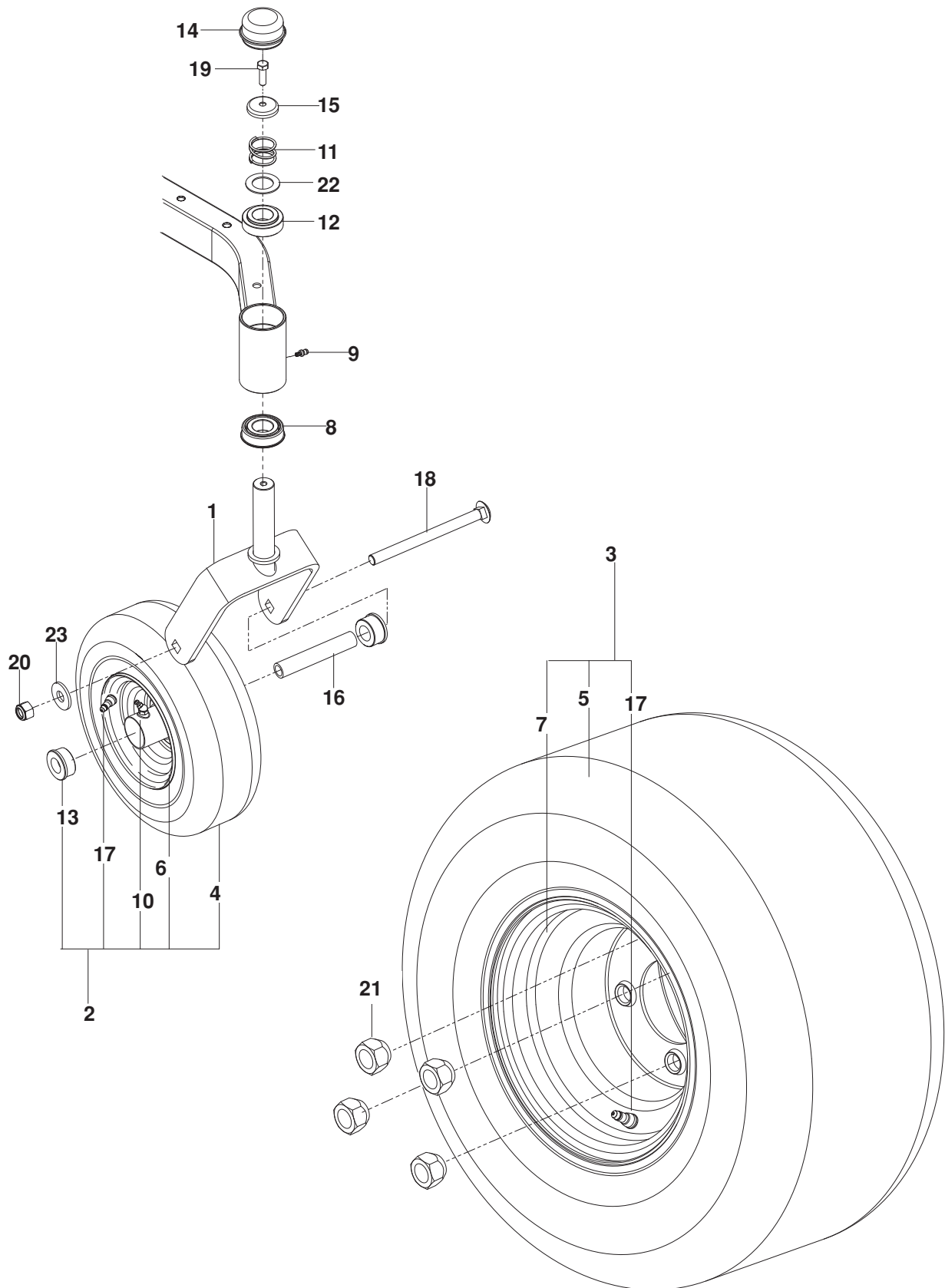
HYDRAULIC PUMP - MOTOR



HYDRAULIC PUMP-MOTOR

ITEM	PART NO.	QTY.	DESCRIPTION	ITEM	PART NO.	QTY.	DESCRIPTION
1..	510 375601....	1....	EZT, LT	19..	510 185102....	2....	MOUNT, EZT RR BLK
2..	510 375602....	1....	EZT, RT	20..	539 990637....	4....	HCS $\frac{3}{8}$ -16 x 2 $\frac{1}{2}$
3..	574 030501....	1....	ROD, EZT BRAKE LT	21..	539 101721....	4....	HCS $\frac{5}{16}$ -18 x 2 $\frac{3}{4}$
4..	574 030502....	1....	ROD, EZT BRAKE RT	22..	539 990209....	2....	HCS $\frac{5}{16}$ -18 x 1
5..	539 110411....	1....	BELT, EZT	23..	539 976934....	2....	HCS $\frac{5}{16}$ -18 x $\frac{3}{4}$
6..	522 945001....	2....	ROD, MOTION CONTROL	24..	539 976938....	2....	HCS $\frac{5}{16}$ -18 x 2 $\frac{1}{4}$
7..	539 115729....	2....	ROD END RT	25..	539 108535....	1....	SCREW 10-24 x $\frac{3}{4}$ SLTD RD
8..	539 116690....	2....	ROD END MALE LT	26..	539 990717..	10....	NUT $\frac{5}{16}$ -18 HEX NYLOC
9..	539 116689....	2....	COUPLER, ROD END	27..	539 115617....	2....	NUT $\frac{5}{16}$ -18 NYLOC INSERT
10..	539 110342....	2....	SPRING, BRAKE ROD	28..	539 990223....	4....	NUT $\frac{5}{16}$ -24 HEX
11..	539 976988....	2....	HAIRPIN, COTTER	29..	539 991073....	1....	NUT $\frac{5}{16}$ -24 HEX JAM LH
12..	539 120080....	2....	COG, BRAKE DISC	30..	539 976977....	1....	NUT 10-24 HEX NYLOC
13..	539 120079....	2....	BRAKE ARM KIT	31..	539 976978....	2....	NUT $\frac{1}{4}$ -20 HEX NYLOC
14..	575 507001....	2....	HUB KIT	32..	539 990055....	4....	WASHER $\frac{1}{4}$ SAE FLT
15..	522 941101....	2....	LINK ARM, BYPASS	33..	539 990188..	18....	WASHER $\frac{5}{16}$ SAE FLT
16..	539 120785....	2....	BLADE, FAN	34..	539 990118....	4....	WASHER $\frac{3}{8}$ SPLT LCK
17..	510 184101....	2....	SPACER TUBE	35..	539 990122....	8....	WASHER $\frac{3}{8}$ SAE FLT
18..	522 460702....	2....	SUPPORT, EZT FRT				

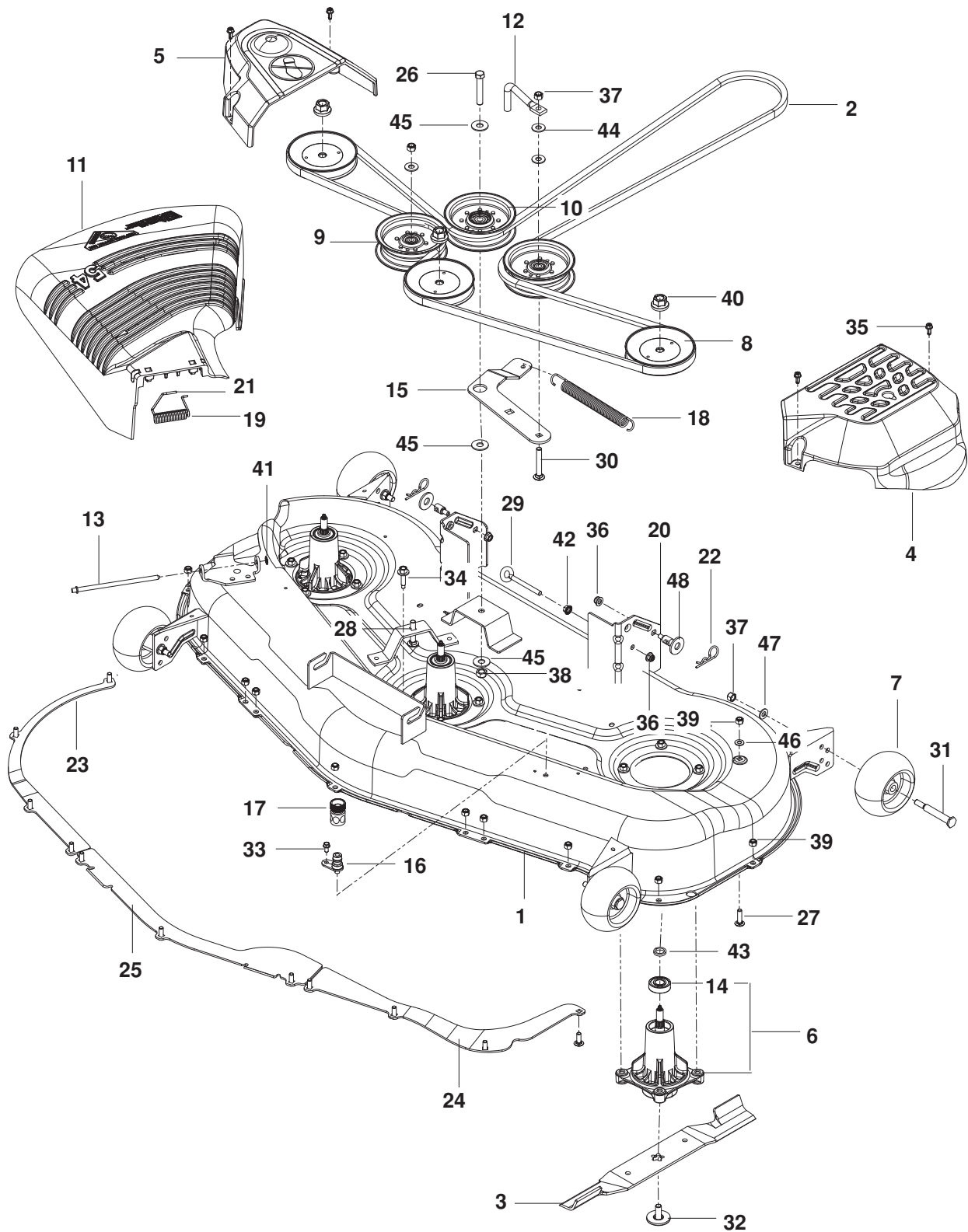
WHEELS AND TIRES



WHEELS AND TIRES

ITEM	PART NO.	QTY.	DESCRIPTION	ITEM	PART NO.	QTY.	DESCRIPTION
1..	576 588802....	2....	YOKE, ORG	13..	539 617801....	4....	BUSHING, FLANGED
2..	576 588601....	2....	CASTER TIRE ASSY	14..	539 102535....	2....	GREASE CAP
3..	539 130820....	2....	WHEEL ASSY, REAR 18 x 9.5	15..	539 115749....	2....	PLUG, CASTER
4..	577 428901....	2....	TIRE, CASTER 11 X 6 - 5	16..	576 588901....	2....	SPACER
5..	539 130822....	2....	TIRE 18 x 9.5 TURF	17..	539 912234....	4....	VALVE STEM
6..	577 429001....	2....	RIM, CASTER	18..	576 601501....	2....	RHSNB 1/2-13 x 7 1/2
7..	539 112217....	2....	RIM 8 x 7 w/ .8" OFFSET	19..	539 115566....	2....	HHB w/ NY 5/16-18 x 1
8..	539 112660....	2....	BEARING, FLANGED	20..	539 200100....	2....	NUT 1/2 HEX CNTRLK
9..	539 115638....	2....	ZERK 3/16 DRIVE	21..	539 101173....	8....	NUT 1/2 LUG
10..	539 103300....	2....	ZERK	22..	539 115675....	2....	WASHER
11..	539 115747....	2....	SPRING, CASTER	23..	539 109554....	2....	WASHER 1/2 FLT
12..	539 117901....	2....	BUSHING, CASTER				

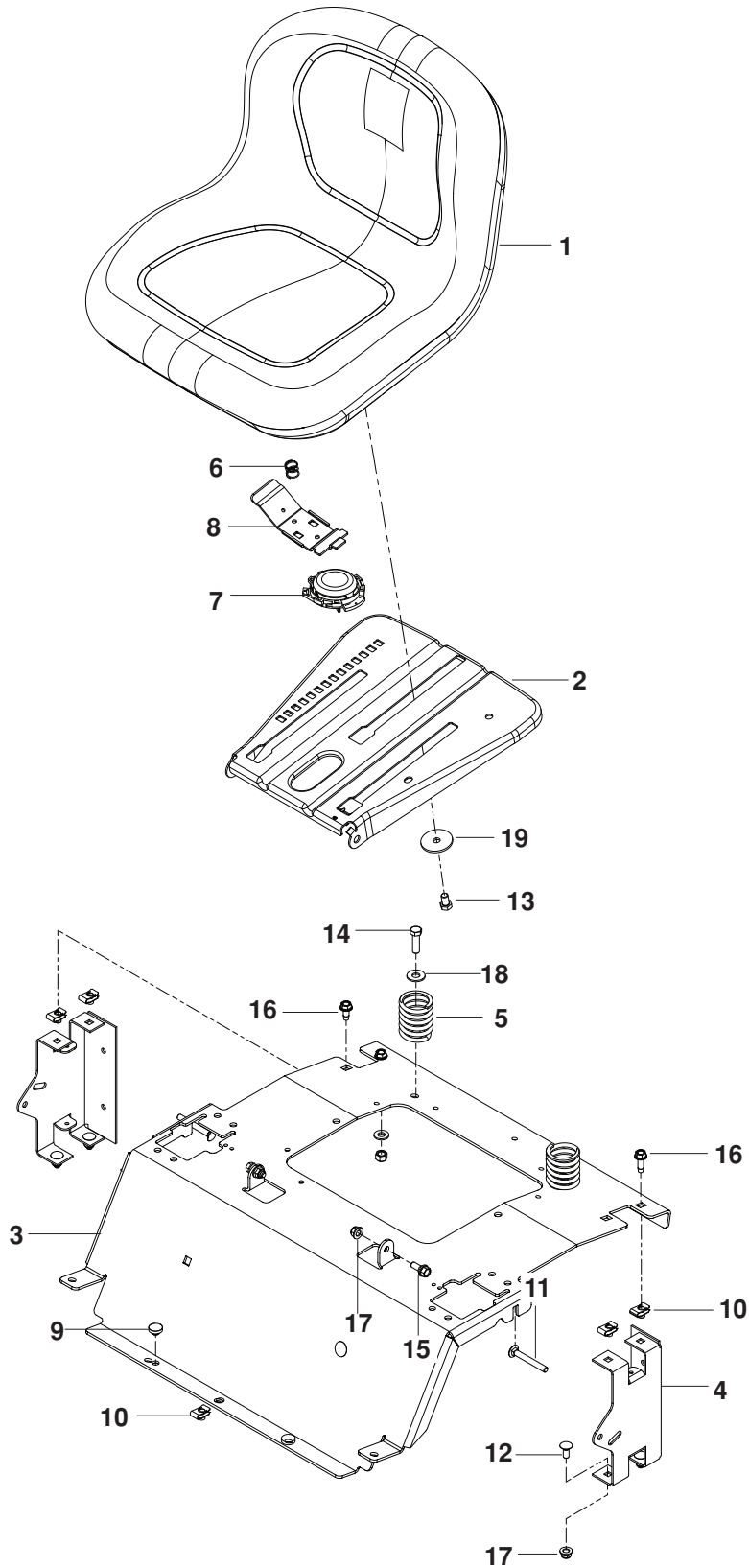
MOWER DECK / CUTTING DECK



MOWER DECK / CUTTING DECK

ITEM	PART NO.	QTY.	DESCRIPTION	ITEM	PART NO.	QTY.	DESCRIPTION
1..	522 744401....	1....	DECK w/ SAFETY DECALS	25..	539 112062....	1....	BAFFLE, CNTR
2..	539 114557....	1....	V-BELT	26..	539 104870....	1....	HCS $\frac{7}{16}$ -14 x $2\frac{1}{2}$
3..	532 187256....	3....	BLADE, BAGGING	27..	539 990316..	12....	RHSNB $\frac{5}{16}$ -18 x $\frac{3}{4}$
4..	532 187297....	1....	BELT SHIELD, LT	28..	539 100145....	1....	RHSNB $\frac{3}{8}$ -16 x 2
5..	532 188187....	1....	BELT SHIELD, RT	29..	539 115574....	1....	EYE BOLT $\frac{5}{16}$ x $3\frac{1}{2}$
6..	539 112057....	3....	HOUSING, CUTTER	30..	539 128101....	1....	BOLT $\frac{3}{8}$ -16 x $2\frac{1}{4}$ CARRIAGE
7..	539 107610....	5....	WHEEL, GAUGE	31..	539 107608....	4....	BOLT $\frac{1}{2}$ x $2\frac{5}{8}$ SHOULDER
8..	539 112171....	3....	PULLEY	32..	539 107522....	3....	BOLT WASHER ASSY
9..	532 196106....	2....	PULLEY, IDLER	33..	539 108461....	1....	BOLT $\frac{1}{4}$ -20 x $\frac{1}{2}$ HWST
10..	532 196104....	1....	PULLEY, IDLER	34..	539 107630..	12....	SCREW $\frac{5}{16}$ -18 x WSHR HD
11..	539 112054....	1....	DEFLECTOR	35..	539 107631....	4....	SCREW $\frac{1}{4}$ -20 x $\frac{5}{8}$ THDROLL
12..	522 629701....	1....	KEEPER, BELT	36..	539 112899....	3....	NUT $\frac{5}{16}$ -18 HEX FLG NYLOC
13..	539 110462....	1....	ROD, HINGE	37..	539 976979....	6....	NUT $\frac{3}{8}$ -16 HEX NYLOC
14..	539 112050....	1....	BEARING	38..	539 119124....	1....	NUT $\frac{7}{16}$ -14 HEX NYLOC
15..	510 220002....	1....	ARM, IDLER	39..	539 990717..	12....	NUT $\frac{5}{16}$ -18 HEX NYLOC
16..	532 415598....	1....	PORT, WASHOUT	40..	539 107590....	3....	NUT $\frac{9}{16}$ TOP CNTRLK
17..	532 416405....	1....	COUPLING, CONNECT	41..	539 107626....	1....	PUSHNUT
18..	539 120920....	1....	SPRING, DECK BELT	42..	539 990585....	1....	NUT $\frac{5}{16}$ -18 HEX WHIZLK
19..	539 107609....	1....	SPRING, TORSION	43..	532 187690....	3....	WASHER/SPACER
20..	532 195161....	2....	STUD w/ ANTI-ROTATE	44..	539 990517....	3....	WASHER $\frac{3}{8}$ STD FLT
21..	539 107627....	1....	CAP, SLEEVE	45..	539 104864....	3....	WASHER $\frac{7}{16}$ FLT
22..	539 976989....	2....	HAIRPIN #4	46..	539 990188....	1....	WASHER $\frac{5}{16}$ SAE FLT
23..	532 112059....	1....	BAFFLE, RT	47..	539 990122....	4....	WASHER $\frac{3}{8}$ SAE FLT
24..	539 112060....	1....	BAFFLE, LT	48..	539 109554....	2....	WASHER $\frac{1}{2}$ FLT

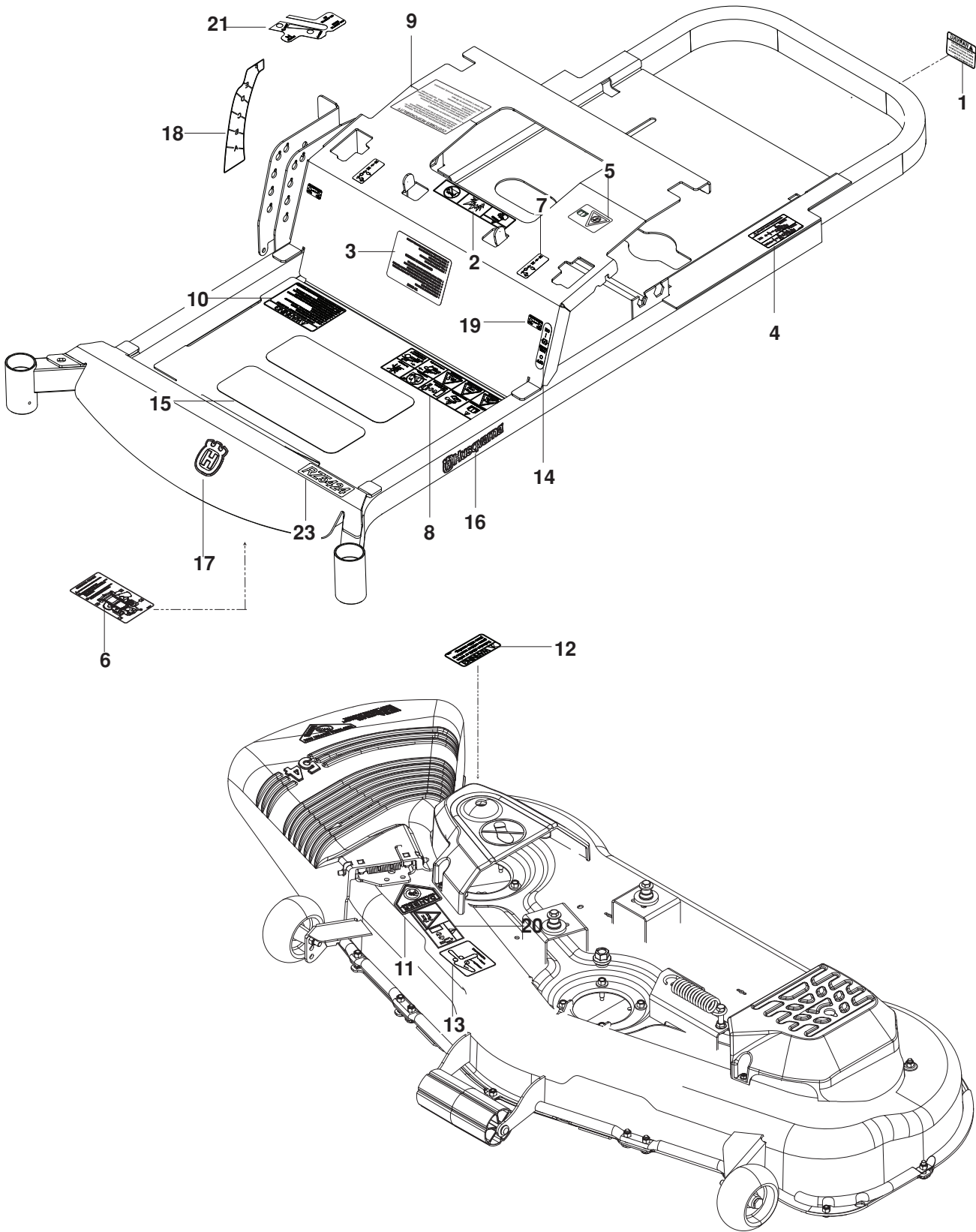
SEAT



SEAT

ITEM	PART NO.	QTY.	DESCRIPTION	ITEM	PART NO.	QTY.	DESCRIPTION
1..	532 424068....	1....	SEAT	11..	510 422701....	2....	RHSNB $\frac{5}{16}$ -18 x 2 $\frac{1}{2}$
2..	532 196977....	1....	SEAT PAN	12..	539 990316....	4....	RHSNB $\frac{5}{16}$ -18 x $\frac{3}{4}$
3..	577 260503....	1....	SUPPORT, SEAT ORG	13..	539 108503....	1....	HCS $\frac{3}{8}$ -16 x $\frac{5}{8}$
4..	574 522702....	2....	SUPPORT, SEAT RR BLK	14..	539 976941....	2....	HCS $\frac{3}{8}$ -16 x 1 $\frac{1}{4}$
5..	539 110300....	2....	SPRING, SEAT	15..	539 110303....	2....	BOLT $\frac{5}{16}$ SHOULDER
6..	532 198200....	1....	SPRING, LATCH SEAT	16..	539 107475....	4....	BOLT $\frac{5}{16}$ -18 x $\frac{3}{4}$ THD FRM
7..	539 132140....	1....	SWITCH, SEAT	17..	539 112899....	6....	NUT $\frac{5}{16}$ -18 HEX FLG NYLOC
8..	532 197661....	1....	HANDLE, SLIDE, SEAT	18..	539 990517....	2....	WASHER $\frac{3}{8}$ STD FLT
9..	539 102587....	2....	GROMMET, BUMPER	19..	539 111897....	1....	WASHER $\frac{3}{8}$ SPECIAL
10..	539 104763....	5....	RETAINER, U TYPE				

DECALS



DECALS

ITEM	PART NO.	QTY.	DESCRIPTION	ITEM	PART NO.	QTY.	DESCRIPTION
1..	539 101881....	1....	DECAL, EXHAUST	12..	539 113224....	1....	DECAL, DEFLECTOR
2..	539 105745....	1....	DECAL, BATTERY WARNING	13..	539 112620....	1....	DECAL, BELT ROUTING
3..	539 108179....	1....	DECAL, START	14..	539 120006....	1....	DECAL, PARK BRAKE
4..	539 108385....	1....	DECAL, DO NOT TOW	15..	539 977778....	3....	ABRASIVE PAD
5..	539 108386....	1....	DECAL, EXIT MOWER	16..	532 429196....	2....	DECAL, HUSQVARNA
6..	539 109897....	1....	DECAL, SERVICE	17..	532 428676....	2....	DECAL, CROWN H
7..	539 103333....	2....	DECAL, MOTION CONTROL	18..	576 979101....	1....	DECAL, HEIGHT
8..	539 109908....	1....	DECAL, SAFETY WARNING	19..	539 110974....	2....	DECAL, TRACKING
9..	539 110522....	1....	DECAL, RESPONSIBILITY	20..	539 105746....	1....	SEVERING
10..	539 113213....	1....	DECAL, WARNINGS	21..	576 916702....	1....	DECAL, CONSOLE
11..	539 913010....	1....	DECAL, BLADE DANGER	22..	521 949313....	1....	DECAL, RZ5424

